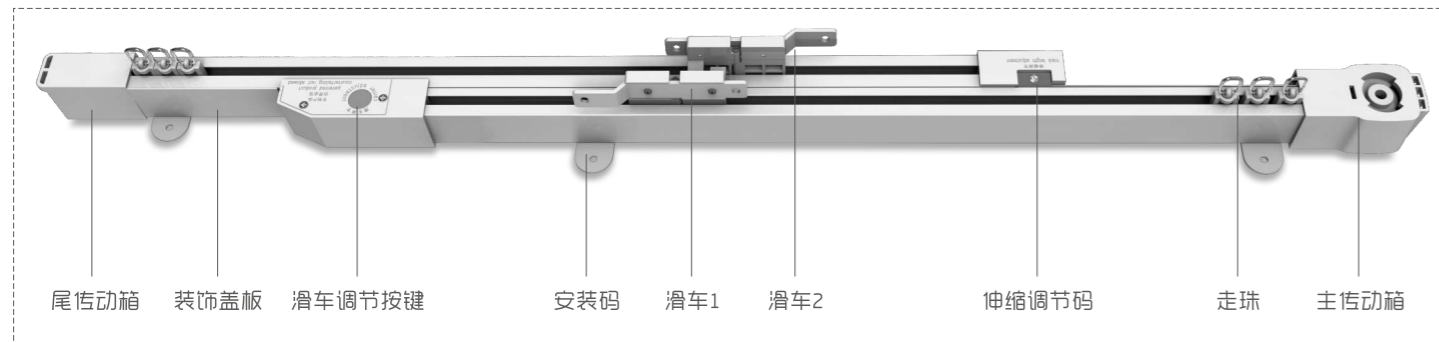


电动伸缩开合帘说明书

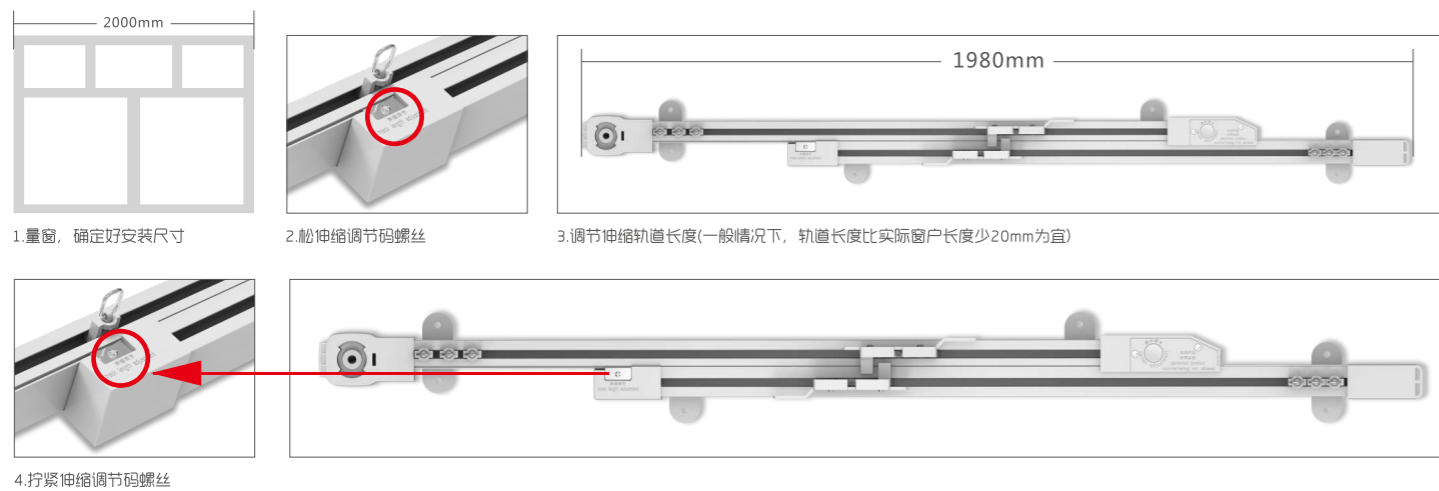
公司保留更改产品设计与说明书的权利，届时将不另行通知，图片仅供参考，具体以实物为准 A/O H12105

产品简介

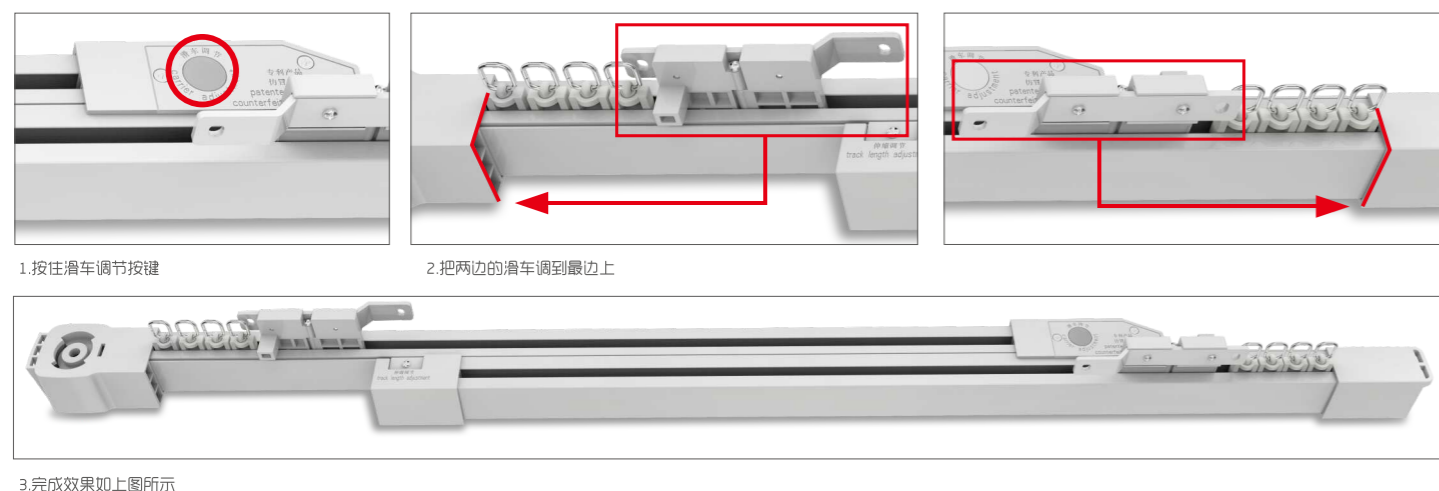


安装步骤

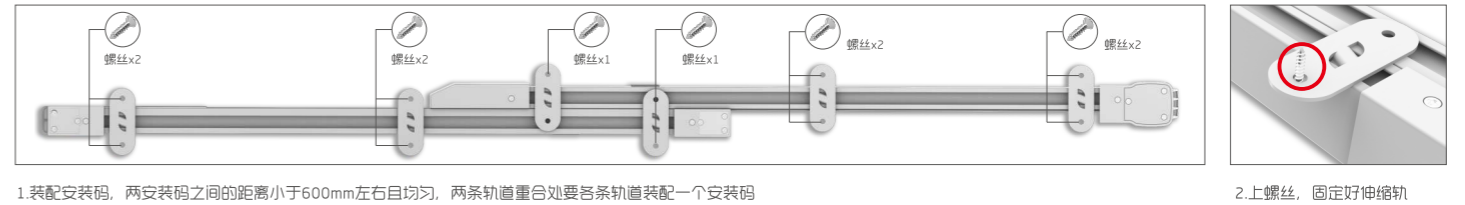
【轨道长度调节】



【滑车复位调节】



轨道安装



电机安装与拆卸

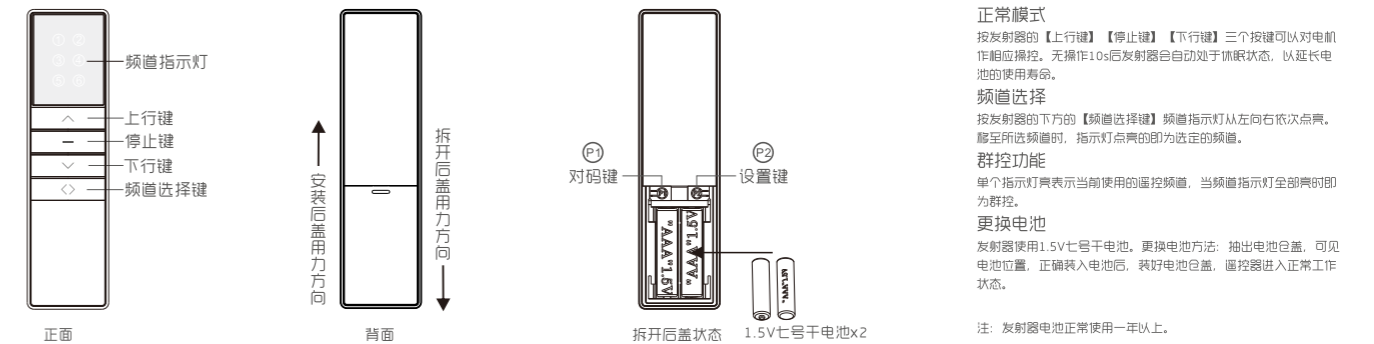
电机安装



电机拆卸



遥控器说明



对码

(温馨提示：产品出厂前默认对上第一频道) 重复操作对码步骤即是消除当前码。一台电机最多储存5个发射频道，再新增发射器会循环覆盖最前一个频道。

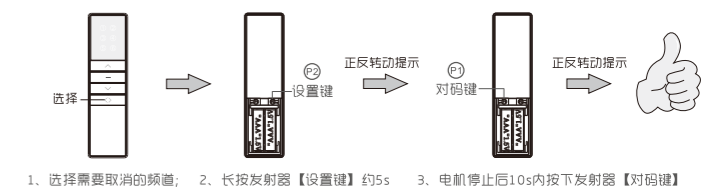


换向

切换已对上码电机运转方向。如：换向前，按发射器打开键，窗帘关闭，则需要换向设置。

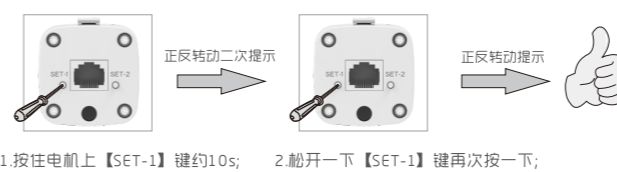


行程取消



恢复出厂设置

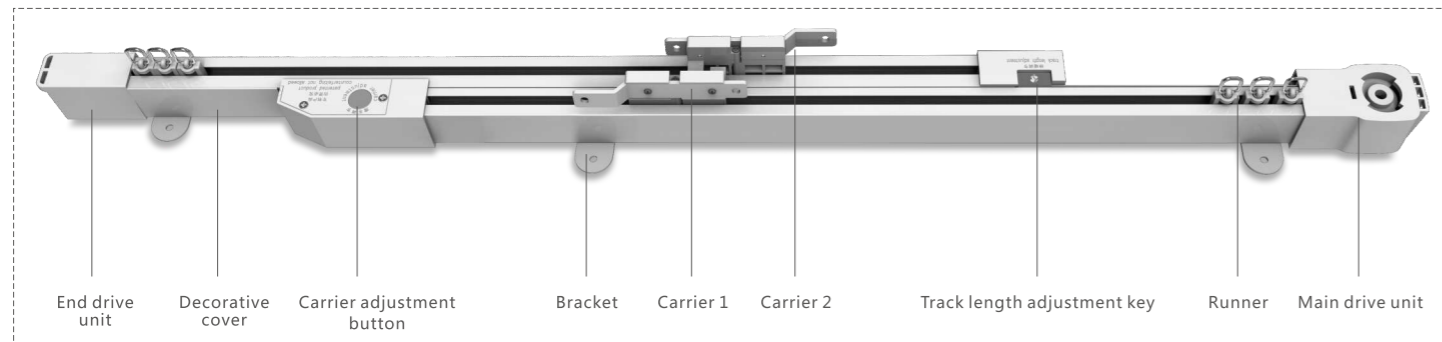
清除电机上所有设置并恢复至默认状态。



Motorized Length Adjustable Curtain Manual

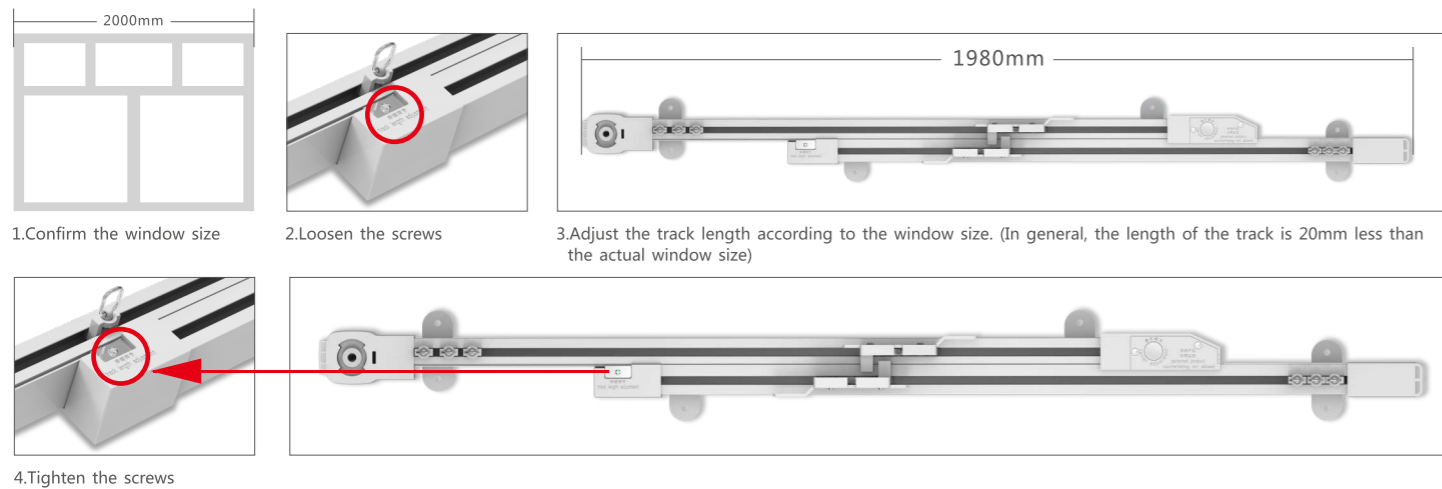
Company reserves the right to change the product design and manual without prior notice. The pictures are for reference only. A/0 H12105

Product Introduction

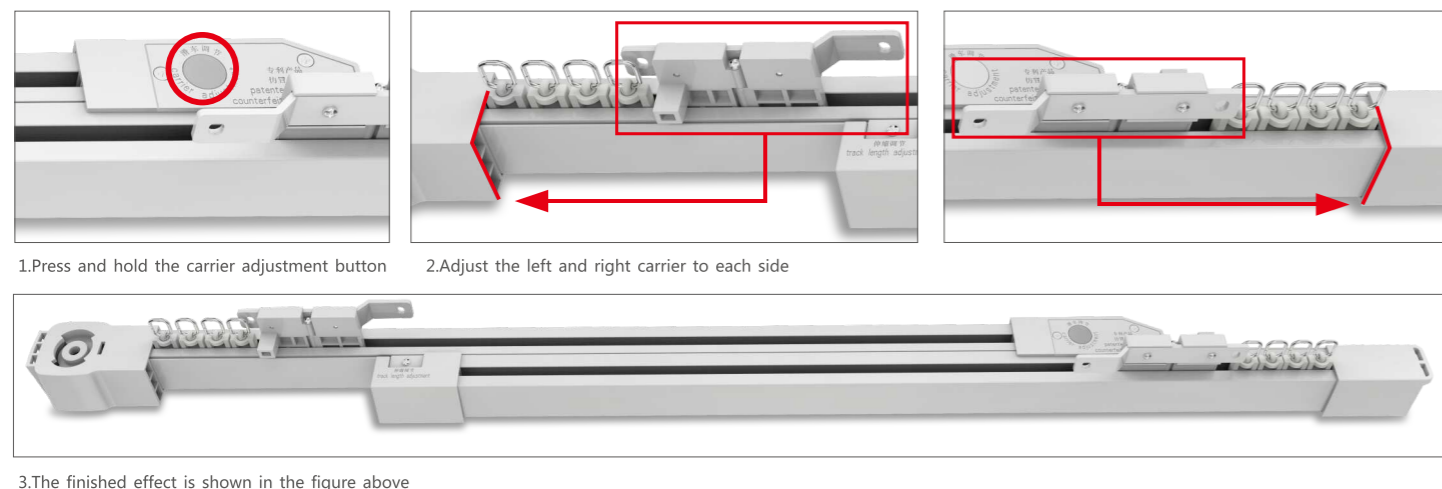


Installation steps

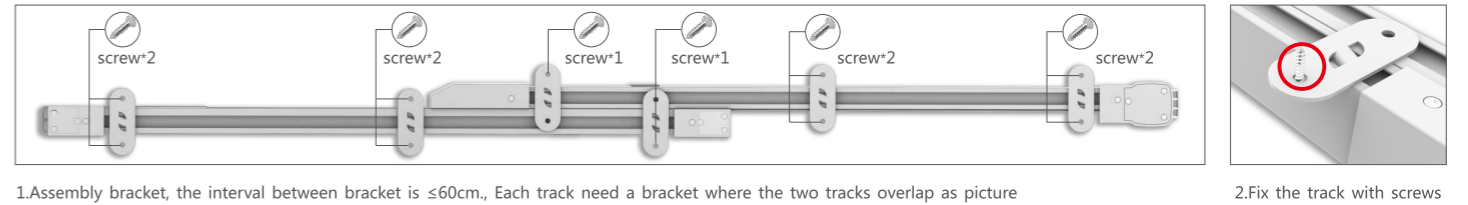
【Track length adjustment】



【Carrier reset adjustment】

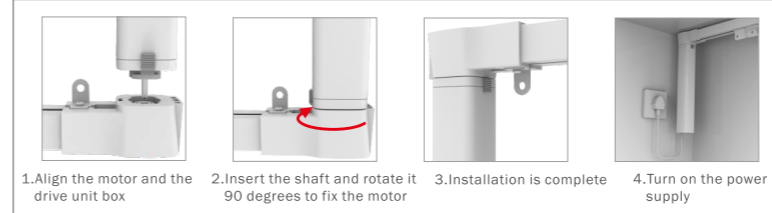


Track installation

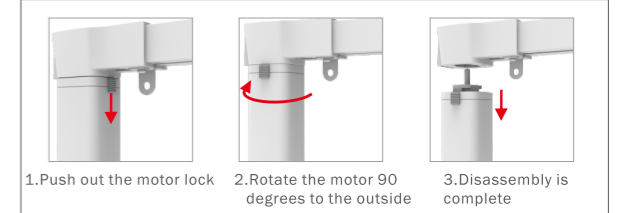


Motor installation and disassembly

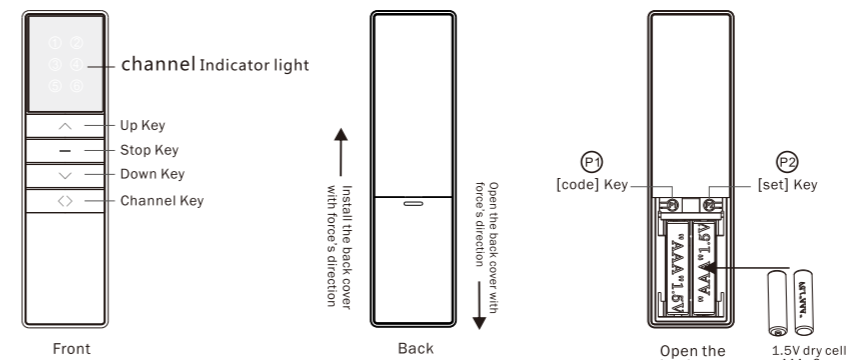
Motor installation



Motor disassembling



Remote control instructions



Normal mode

Press the [Up Key] [Stop Key] [Down Key] on the transmitter can control the motor accordingly. Loosen over 10s, the transmitter will power off automatically, this can lengthen the life of the battery.

Choose channels

Press the [Channel Key] on the transmitter, make the indicator light move from left to right. You can control the motor when the light moves to the required control channel.

Group control function

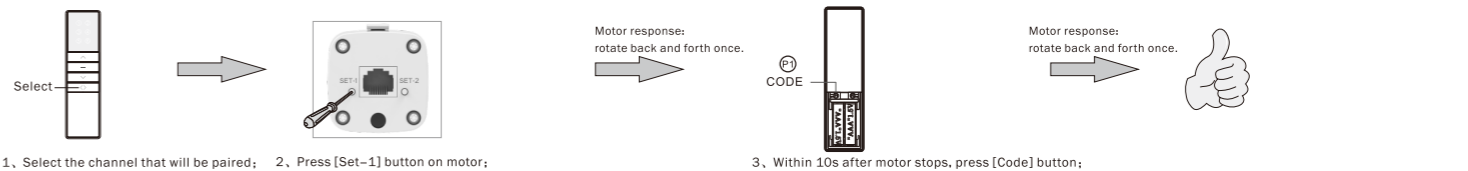
Each channel light stand for relevant channel, When the indicator light all bright is the group control.

Battery replacement

The transmitter uses 1.5V AAA dry battery. Battery replacement method: pull out the battery compartment cover, after the battery is correctly installed, install the battery compartment cover.

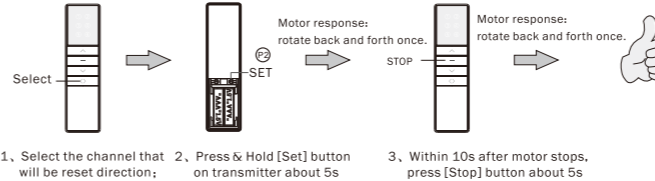
Note: The transmitter battery is normally used for more than one year.

Pairing transmitter and motor repeat the pairing operation once to eliminate the current pairing. A motor stores up to 5 transmitter channels, adding a new transmitter channel will cover the earliest channel. For example, current paired channels are 1-5. If you add channel 6, paired channels will be 2-6.

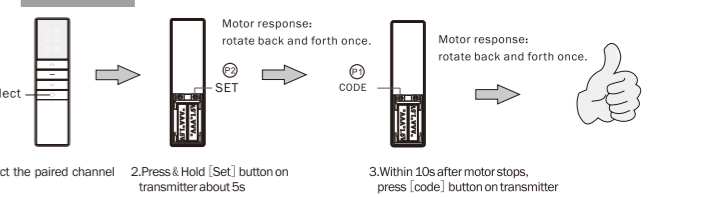


Reset direction

Reset motor direction. Such as: before reset, press transmitter up button, blinds runs down. After reset, press transmitter up button, blinds runs up.



Cancel limit



Restore factory settings

clear all settings on the motor and restore to the default state

